

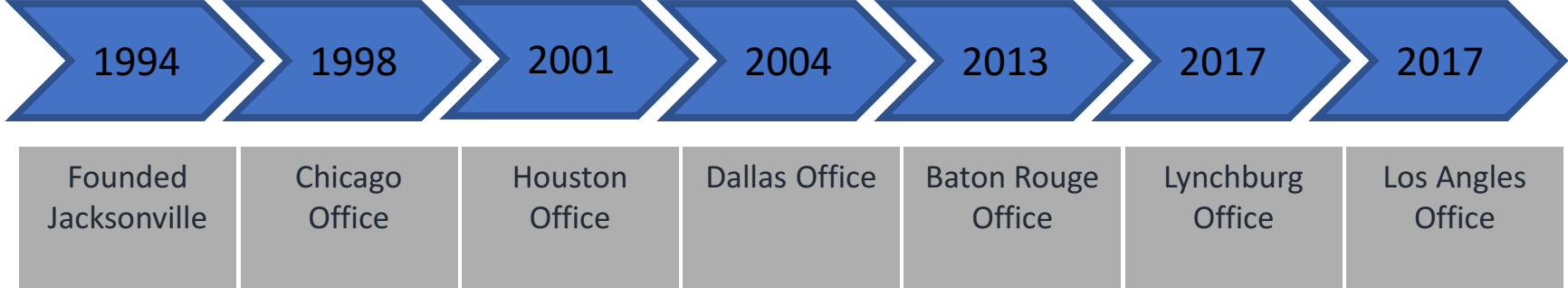


TRANSQUIP

U.S.A. INC

INDUSTRY LEADING ENGINEERING & SUPPLIER TO
TANK CAR MARKET

Transquip Timeline



Best in Class Partners



Jamesbury –

Multiple Options/ Configurations/ Choices – Engineered to Solve your Problem...

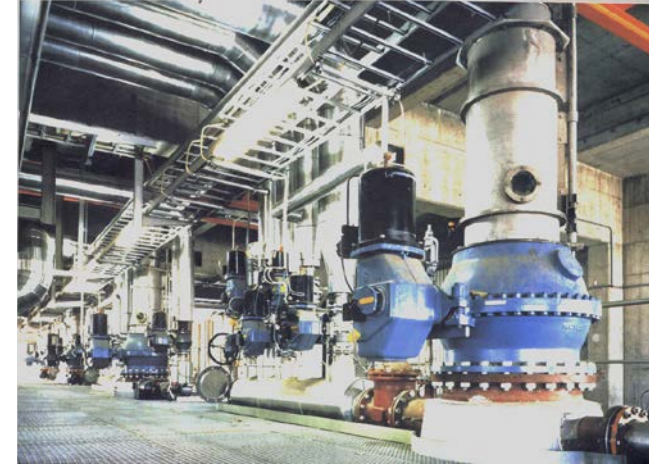


TRANSQUIP USA

Technology developed for extreme environments

All Valves:

- Full Warranty
- API-607 Fire Safe
- Hydrostatic Shell & Seat Tested
- Porosity Tested
- Pneumatic Seat Tested
- High Pressure Tested
 - (5000 psi gas / 40,000 psi water)
- Thermal Tested
 - (-325f to 1000f)
- Life Cycle Tested



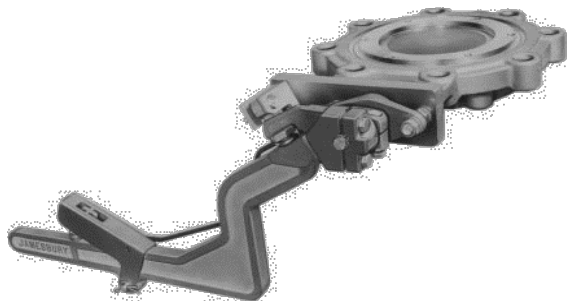
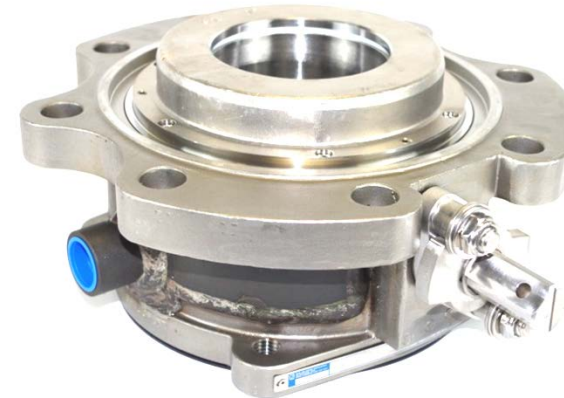
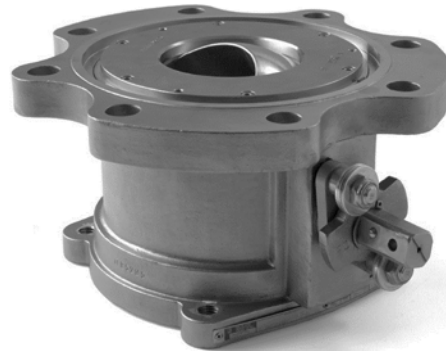
Valve Options

Threaded x Threaded/ Flanged x Threaded/ Flanged x Flanged



Bottom Valve Options

Ball vs Wafer Sphere/ Full Profile vs Low Profile/ Steam (non) Jacked



TRANSQUIP USA

RR Product Offering



**OR4/ High Flow
(75psi STD)**



**OU3/ PRD
Acid Valve
(75 or 165psi STD)**



**OR3/ PRD
GP Valve
(75 or 165psi STD)**



**48/ Vac.
Relief Valve**



TRANSQUIP USA

The Rego Pressure Car Package

A8890



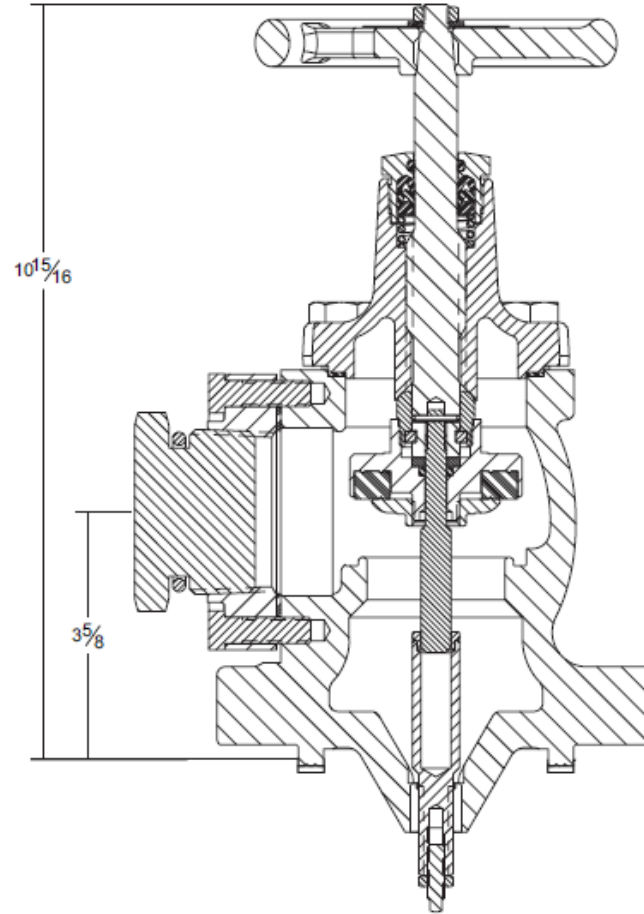
3" - A7839A 2" - A7837A ¾" A7835 A7833

TA7894P



TRANSQUIP USA

AA Shear-Off Package



TA7814 Series (A7814 +A3214) AAR Approval # E-099019



TRANSQUIP USA

Transquip Service Equipment



TRANSQUIP USA

BOV Unloading Assembly



- Tank Car specific design
- Quick connection
- Aluminum or Stainless Steel

