



Billings, MT
2013

J CRAIG HO

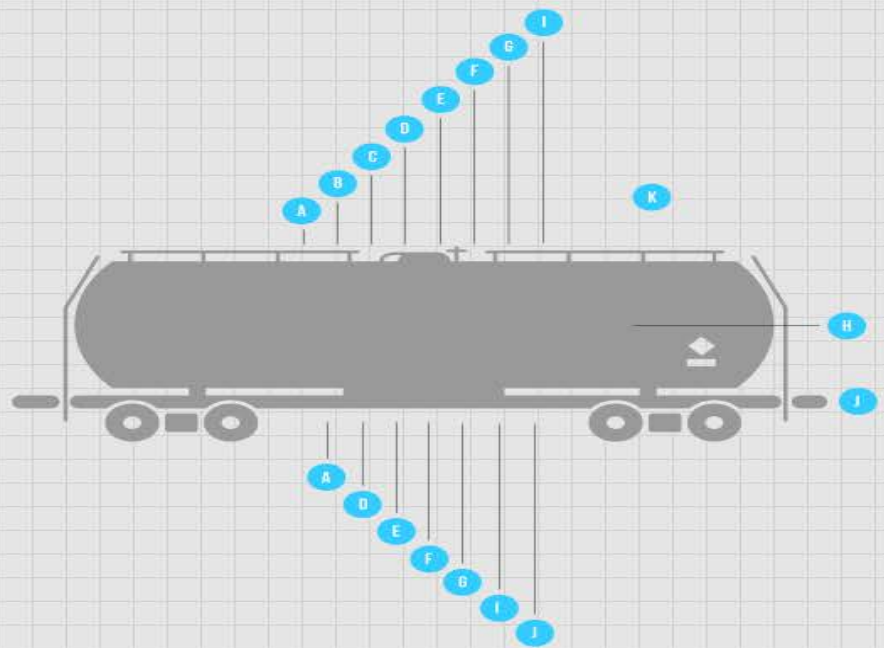
Pressure Cars

REGO
PRODUCTS

WE PROVIDE **TOP QUALITY PRODUCTS** & **SERVICES**
SPECIALIZING IN THE **TANKCAR & MARINE/ISO** INDUSTRY.

 [SEE OUR PRODUCTS](#)

- A** GENERAL SERVICE CAR VALVES
- B** PRESSURE CAR VALVES
- C** LEVEL DEVICES
- D** VALVE REPAIR PARTS
- E** NOZZLES, CAPS, PLUGS, SADDLES & SKIDS
- F** EYEBOLTS, SEAL PINS, DOME PINS, J-HOOKS, GROUND LUGS & STUD
- G** DRY LOCK® & QUICK DISCONNECT
- H** TRANSZCOAT, COATINGS & DECALS
- I** CHEMRAZ®, GASKETS & O-RINGS
- J** CAR PARTS
- K** FUTURE PRODUCTS





TRANS QUIP

U.S.A. Inc.

Southeast Main Office/Warehouse- Jacksonville, FL

3360-C Lakeshore Blvd.

Jacksonville, FL 32210

PH: 904-388-6699

John Williams, Dave Garlington, Dave Harris, Tony Federico

Southwest Office/Warehouse-Houston, TX

4619 North Sam Houston Pkwy East

Houston, TX 77032

PH: 281-442-8000

Matt Tierney, Margret Walter

Midwest Office-Chicago, IL

PH: 219-364-8934

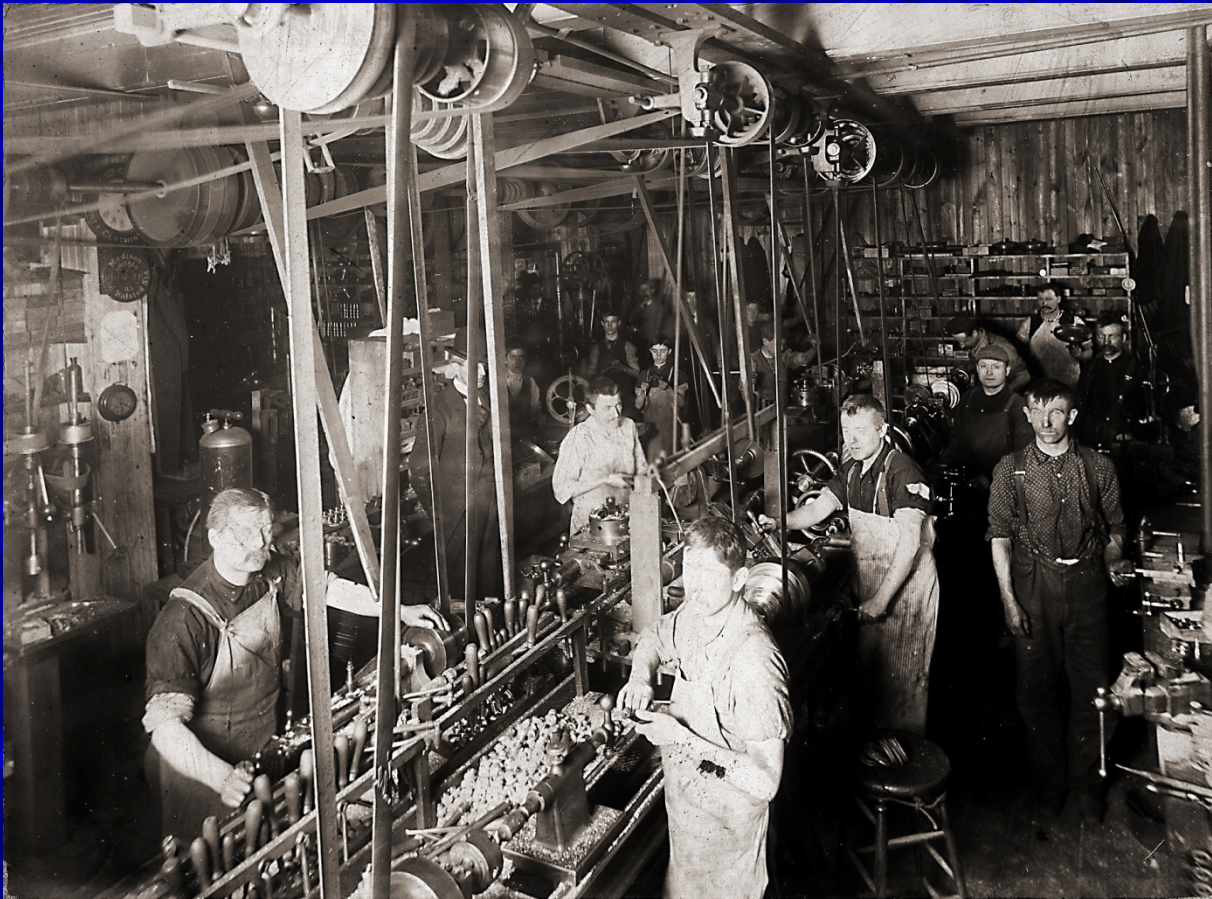
Walt Croson

West Office-Dallas, TX

PH: 940-231-0809

Joe Becherer

History of RegO Products



1904
Acorn
Brass
Purchased
by Bastian-
Blessing in
1928

REGO
PRODUCTS

History of RegO Products

- Soda Fountains/CO2
- AquaLung Scuba
- Craftsman Torches
- LPG/Phillips Pioneers
- Extensive LPG and Anhydrous Ammonia Product Line
- RegO on Transports, Trucks And Containers

REGO
PRODUCTS

History of Rego Products

M-26


The BASTIAN-BLESSING Co.
ESTABLISHED IN 1908

WANTS DEFENSE WORK *Where...*

QUALITY PRODUCTS, DELIVERED AS PROMISED, ARE DEPENDENT UPON—

★ SOUND FINANCIAL STRUCTURE	★ CORRECT INTERPRETATION OF SPECIFICATIONS AND ORDERS
★ MODERN MANUFACTURING SPACE	★ EXPERIENCE WITH GOVERNMENT INSPECTION AND PROCEDURE
★ ENGINEERING AND MANUFACTURING SKILL	★ REASONABLE COSTS AND PROFITS

★ 191,000 sq. ft. of modern manufacturing space and facilities at Grand Haven, Mich., which is 12 miles from Muskegon — 30 miles from Grand Rapids. Please address all inquiries to the company at 4201 Peterson Ave., Chicago 30, Ill.



WHAT WE CONTRACT TO DO
— — —
WE DO


Featuring
Galley and Pantry
Equipment

SUPPLIERS of

GALLEY FABRICATED ITEMS
Canopies—Dish Racks
Drip Pans—Dressers
Lockers
Pot & Pan Racks
Shelving Counters
Shelving—Sinks
Steam Tables

GALLEY STANDARD ITEMS
COMPLETE FOOD PREPARATION EQUIPMENT SUCH AS
Coffee Urns—Dishwashers
Mixers—Ovens—Peelers
Ranges—Refrigerators
Steam Cookers
Steam Kettles
Toasters, Etc.

OTHER FABRICATED PRODUCTS
Antenna Trunks—Bins
Fixtures for
Lamp and Paint Room
Provision Issue Room
Ships Service Store
Lubricating Oil Tanks
Medical Stores Sinks
Sand Boxes & Scoops
Work Benches
and
Similar Items



The **BASTIAN-BLESSING** *Company*
4201 PETERSON AVENUE • CHICAGO 30, ILLINOIS

REGO
PRODUCTS

History of RegO Products

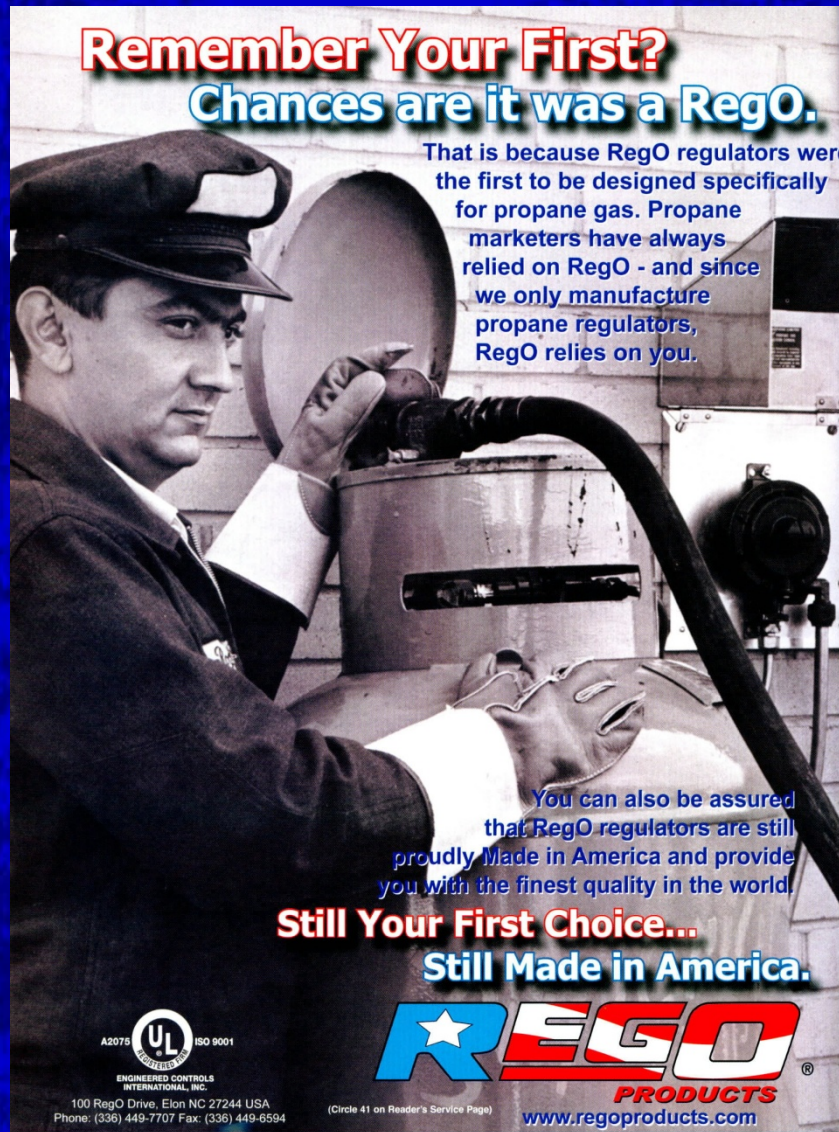


Developed Diving
Equipment with
Jacques Cousteau and
US Divers



REGO
PRODUCTS

History of RegO Products



Remember Your First?
Chances are it was a RegO.

That is because RegO regulators were the first to be designed specifically for propane gas. Propane marketers have always relied on RegO - and since we only manufacture propane regulators, RegO relies on you.

You can also be assured that RegO regulators are still proudly Made in America and provide you with the finest quality in the world.

Still Your First Choice...
Still Made in America.

REGO
PRODUCTS

A2075 UL ENGINEERED CONTROLS INTERNATIONAL, INC. ISO 9001

100 RegO Drive, Elon NC 27244 USA
Phone: (336) 449-7707 Fax: (336) 449-6594

(Circle 41 on Reader's Service Page)

www.regoproducts.com

RegO developed all of the original equipment that helped create the propane industry, including the pop-action relief valve and v-ring stem packing for globe and angle valves

REGO
PRODUCTS

REGO NH₃ Topics

SUMMER

1967



This is the largest of three anhydrous ammonia storage plants operated by Lavery Elevator, Inc. of Indianola, Iowa. Transport riser is at right. Single nurse tank loading riser is at left. All controls are in locked cabinets.

NH₃ In Tall Corn Country

SAFETY AND SERVICE GO TOGETHER

Safety is simple to pronounce and spell. It is easily the most important word in the anhydrous ammonia industry. Safety and good business go hand-in-hand.

At least they do for Lavery Elevator, Inc. of Indianola, Iowa. The 20-year-old firm has been handling anhydrous ammonia for 15 years. Owner Charles (Chuck) Lavery refers to his business as a complete grain and agricultural service. The latter refers to dry fertilizers, NH₃, herbicides and pesticides.

Lavery Elevator, Inc. has grown up with the anhydrous ammonia industry. Farmers in the tall corn country of central Iowa apply it at rates of 100 pounds to 180 pounds per acre. Yields often exceed 150 bushels per acre and are fast approaching the 200 bushel per acre mark.

"We don't sell just anhydrous ammonia," Lavery explained, "but a complete program." This begins with soil testing followed by crop planting recommendations, suggested fertilizers plus a complete herbicide and pesticide program. "This service gives the farmer the greatest net return per acre on his dollar investment," the elevator owner continued. "And if it is good for the farmer, it is good for us."

Progressive farmers in and around Indianola are enthusiastic



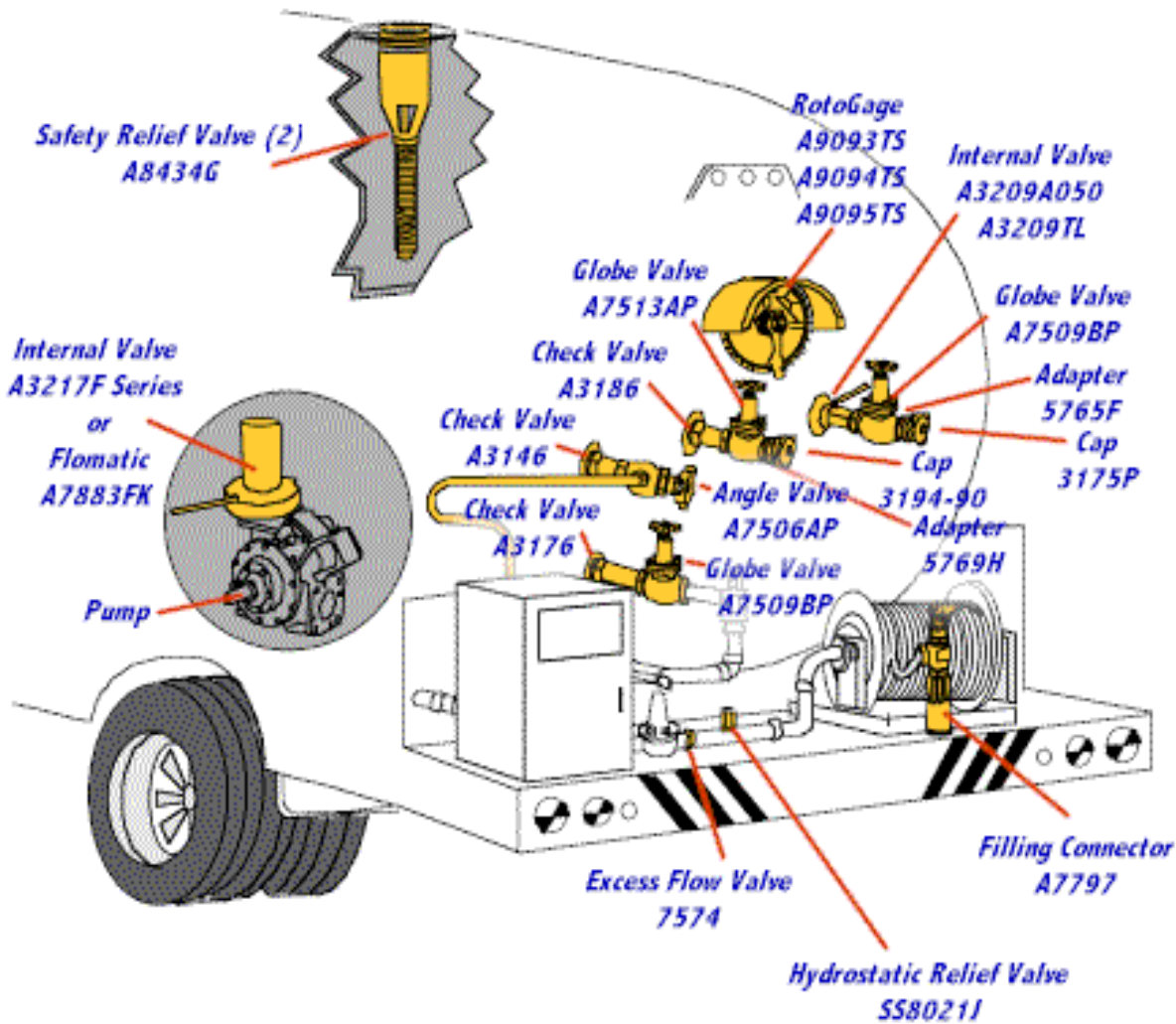
It takes nine minutes to fill a 1,000 gallon nurse tank at this bulk plant of Lavery Elevator, Inc., Indianola, Iowa. Two nurse tanks can be filled simultaneously at this dual load-out riser.

RegO
Expertise in
Pressurized
Gases also
includes
Anhydrous
Ammonia

REGO
PRODUCTS

RegO is a member of
National Propane Gas Assn.
World LP-Gas Assn
Propane Gas Assn of Canada
European Propane Gas Assn
Just To Name a Few

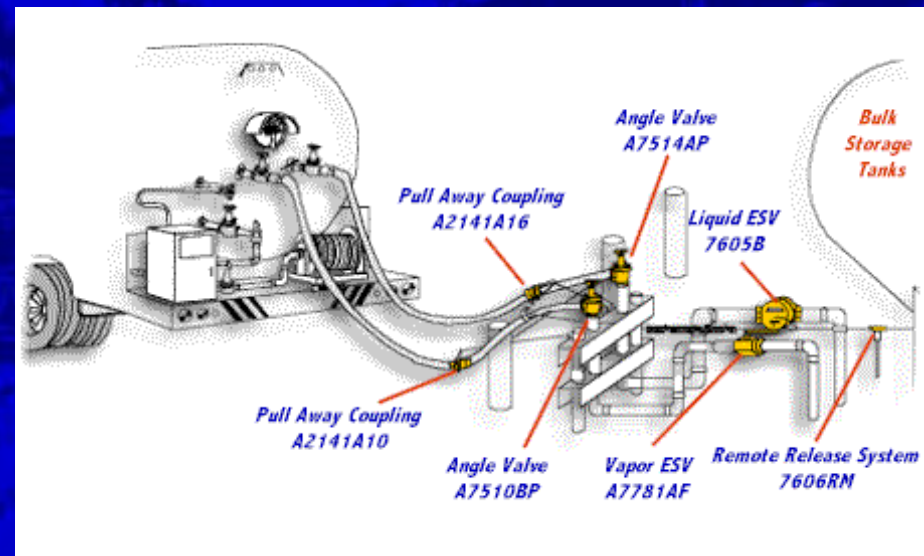
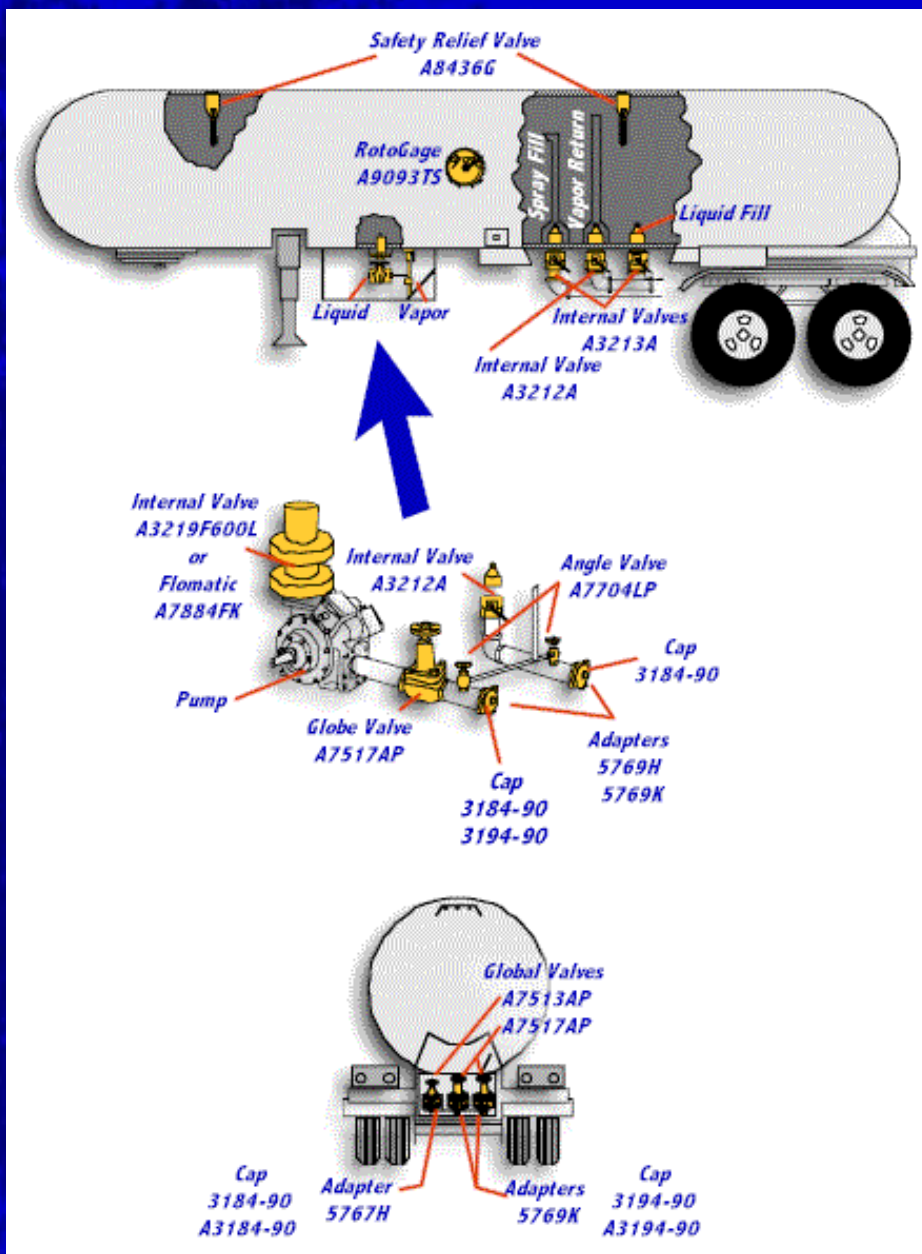
REGO
PRODUCTS



In Tens of
Thousands
of Bulk
Delivery
Trucks

REGO
 PRODUCTS

In Thousands of Bulk Transport Trucks



REGO PRODUCTS

RegO Manufacturing



Rock Creek Machine Shop Facility
100,000 sq. ft. - Whitset, NC

REGO
PRODUCTS

RegO Manufacturing



New computer controlled
Investment for Complex
Machining

REGO
PRODUCTS

RegO Manufacturing



All Made in America
ISO 9001, UL, ASME, CE

REGO
PRODUCTS

Pressure Car Load Unload



The REGO Pressure Car Package



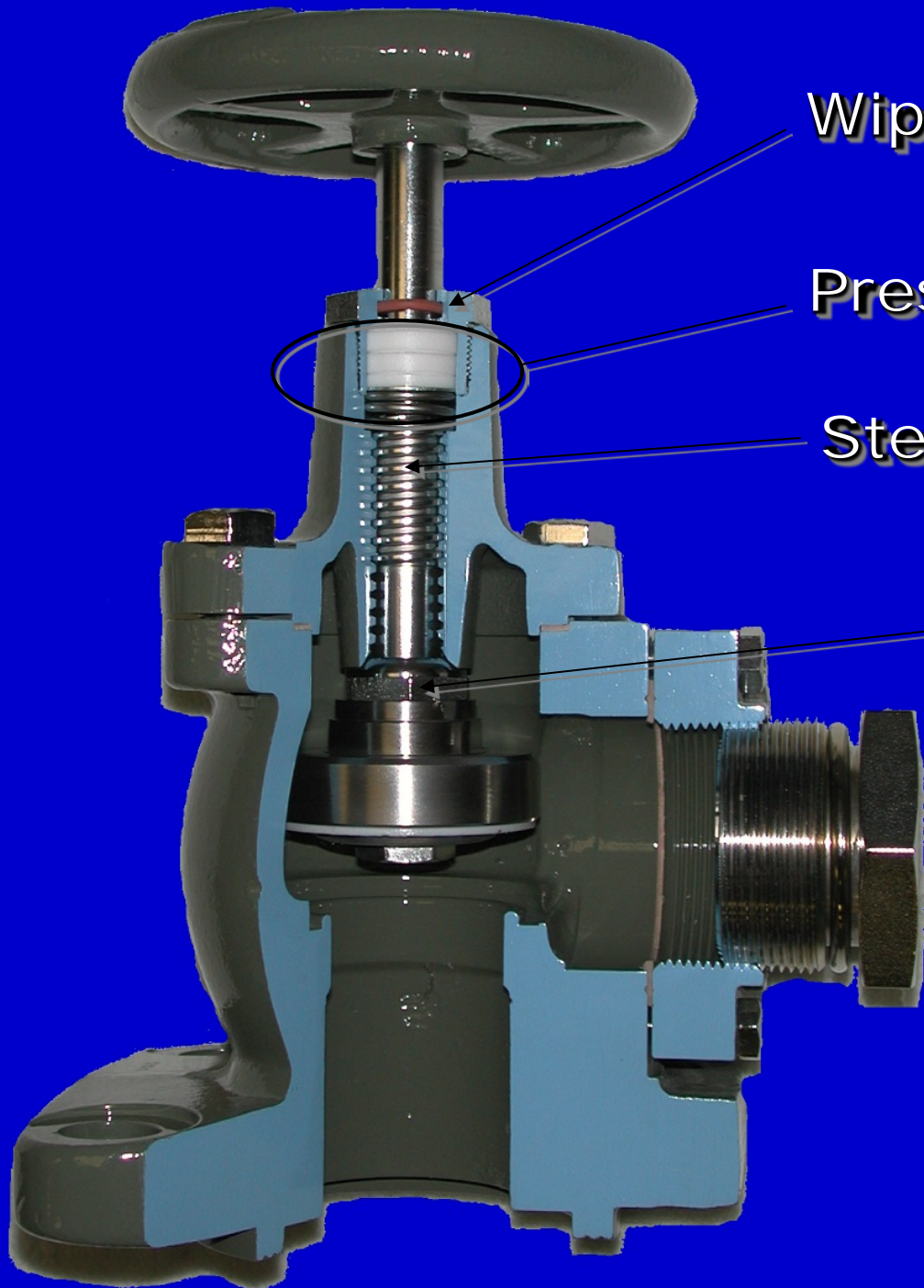
REGO
PRODUCTS



TA7894P
Angle Valve

Rising
Stem
2" Tank
Car
Valves

REGO
PRODUCTS



Wiper Ring

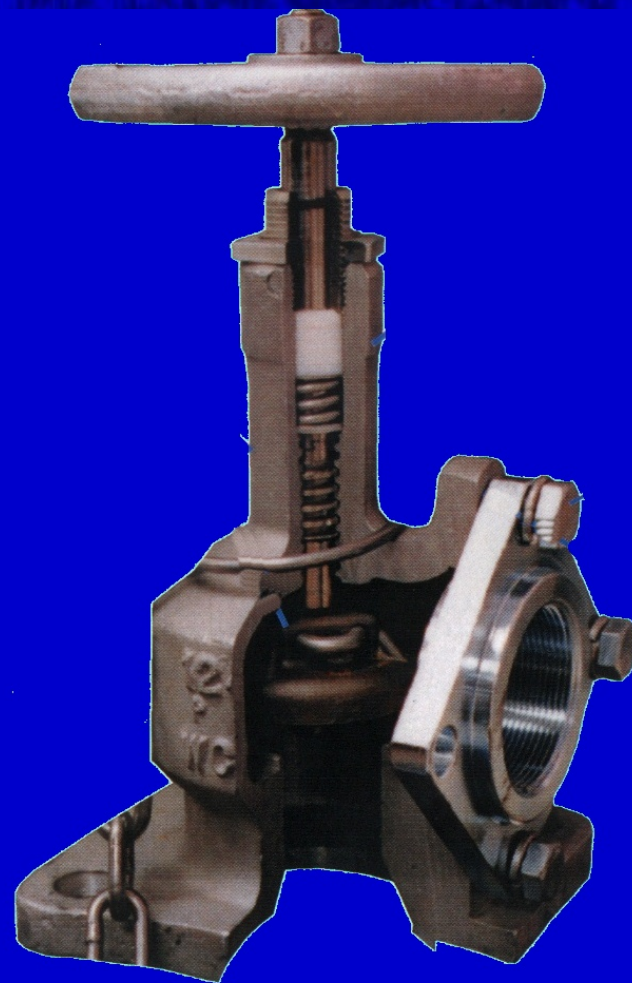
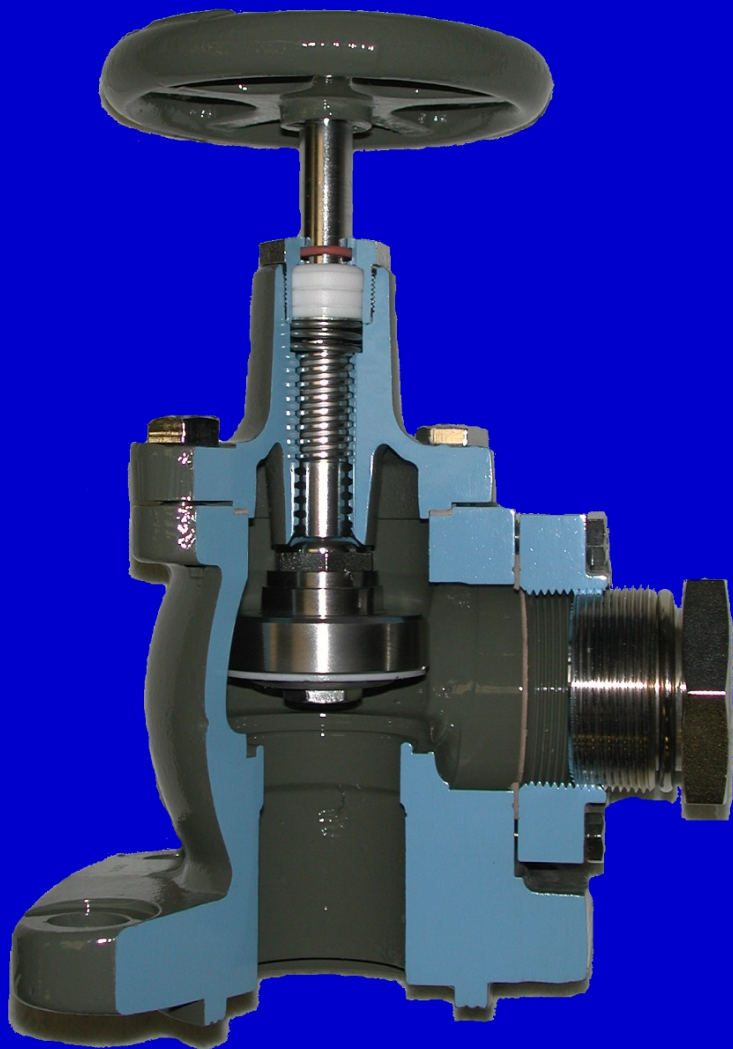
Pressure Seal Rings

Stem

Swivel Seat holder
will back seat

REGO
PRODUCTS

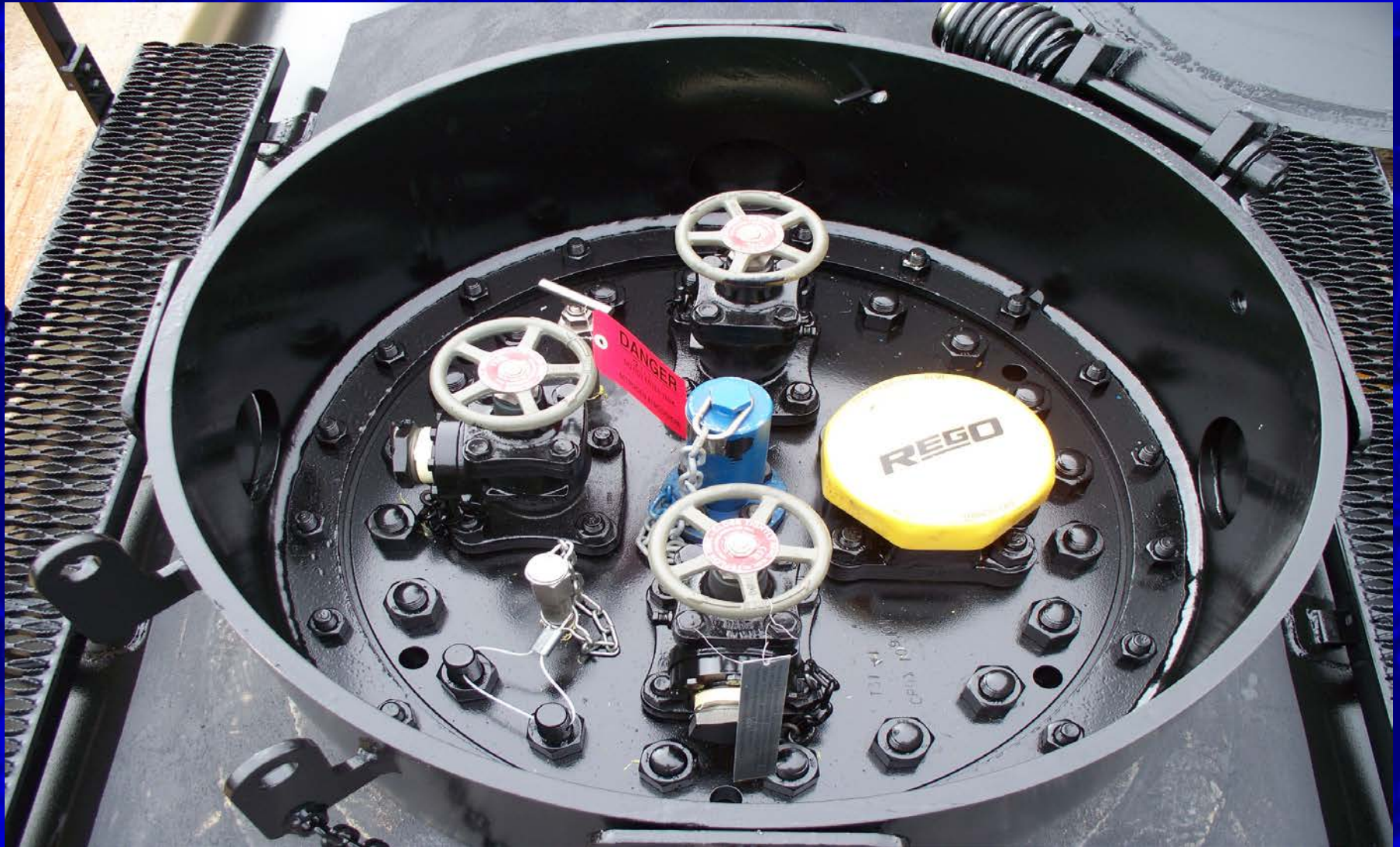
The Difference is Obvious



REGO
PRODUCTS

Current Top Fittings of Today

Typical LPG Pressure Car Top Fittings





Thermowell



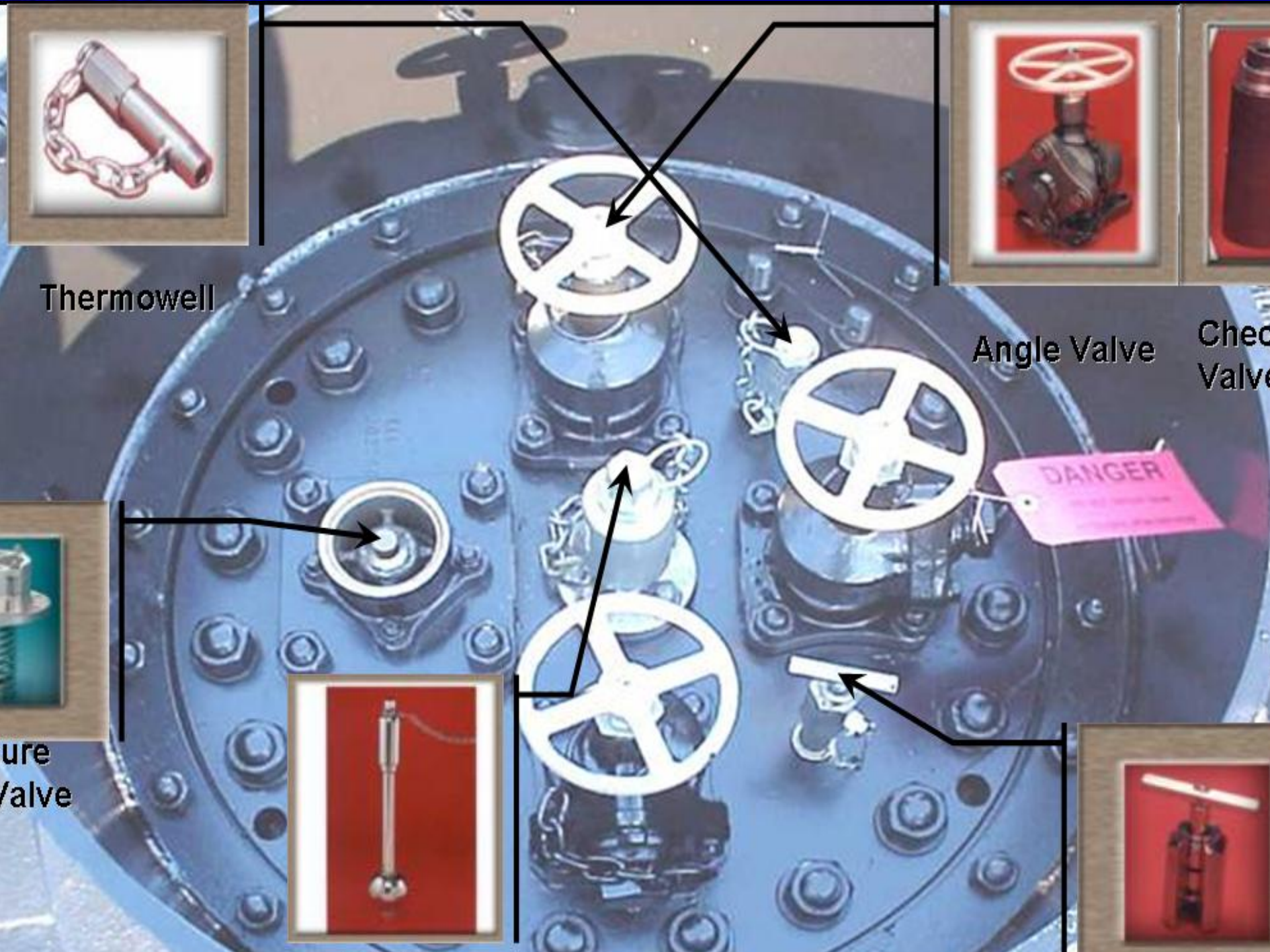
Angle Valve

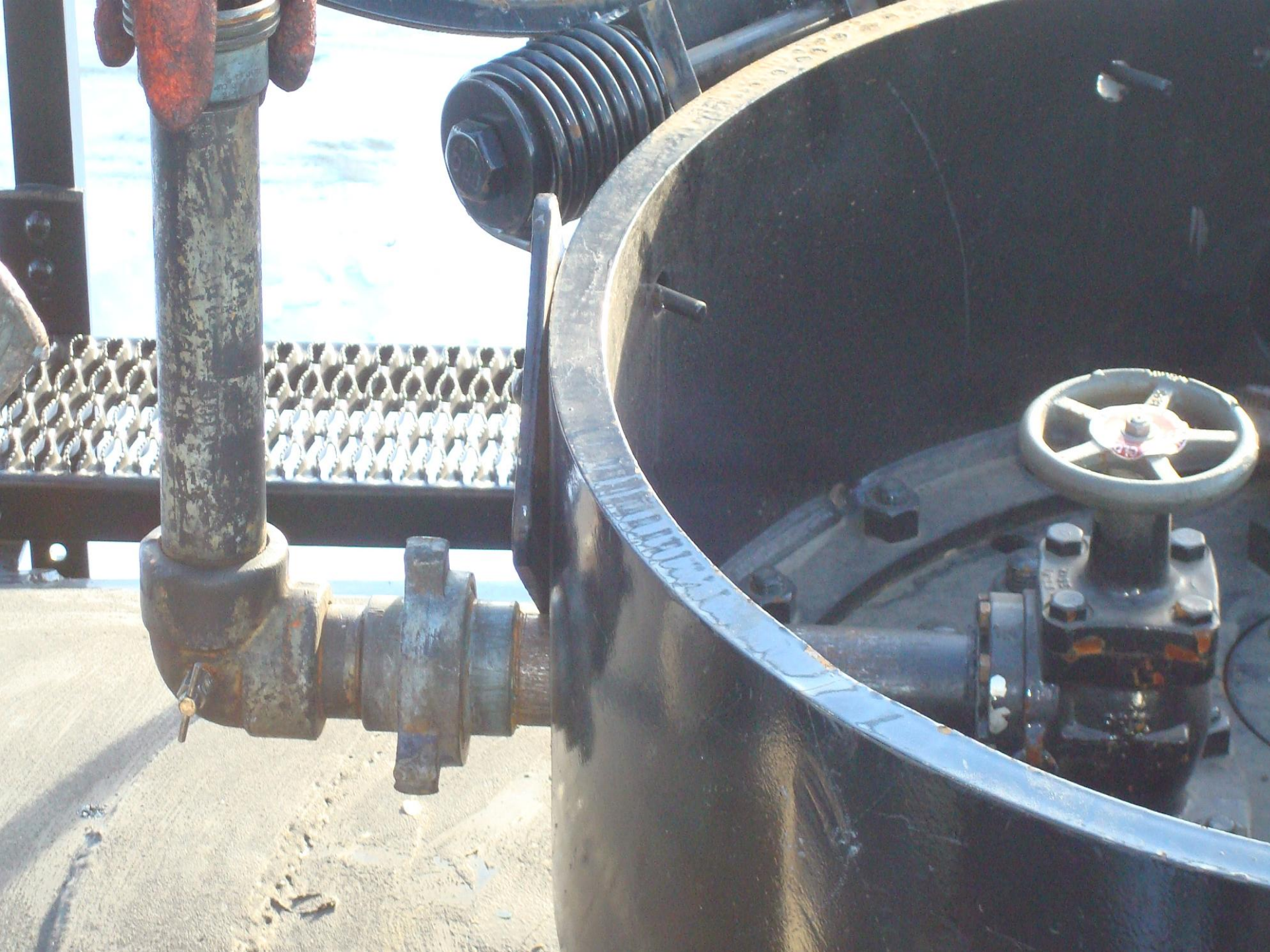


Check Valve



Pressure Valve











*Rego
A8890 Series
Tank Car
Relief Valve
#E-039009*

REGO
PRODUCTS

Pressure SRV





Set Pressure	Flow in scfm/air	Other Valve
225 psig	28,563	25,063
247.5 psig	31,187	22,598
280.5 psig	34,849	24440

Available with Viton
or Nitrile Seats

REGO
PRODUCTS



Both I.D. Plates Can Match the Valve Serial Number to the Car Number at Customer Request

Color Coded Springs to Verify Set Pressure

REGO
PRODUCTS

The Difference Is Very Obvious



*Especially
the non-
corrosive
epoxy
coating on
our spring*

REGO
PRODUCTS



RegO A7839A
3" Tank Car
Check Valves
#E-039010

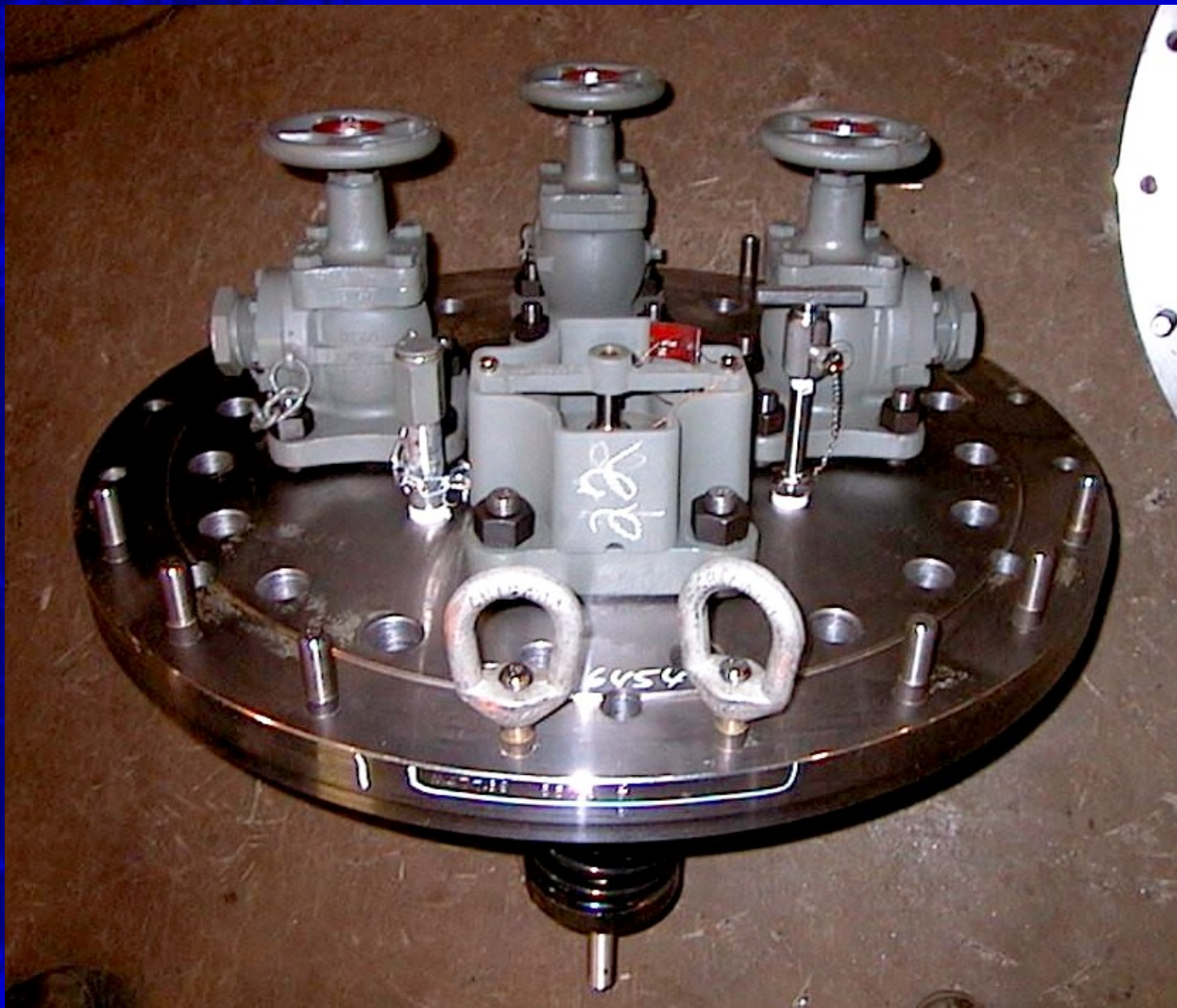
Less Pressure Drop and
More Flow—Results in
Faster Loading/Unloading—
Up to 30% Faster in Propane

REGO
PRODUCTS



A7833A
3/4" Tank Car
Thermowell
#E-039013

REGO
PRODUCTS

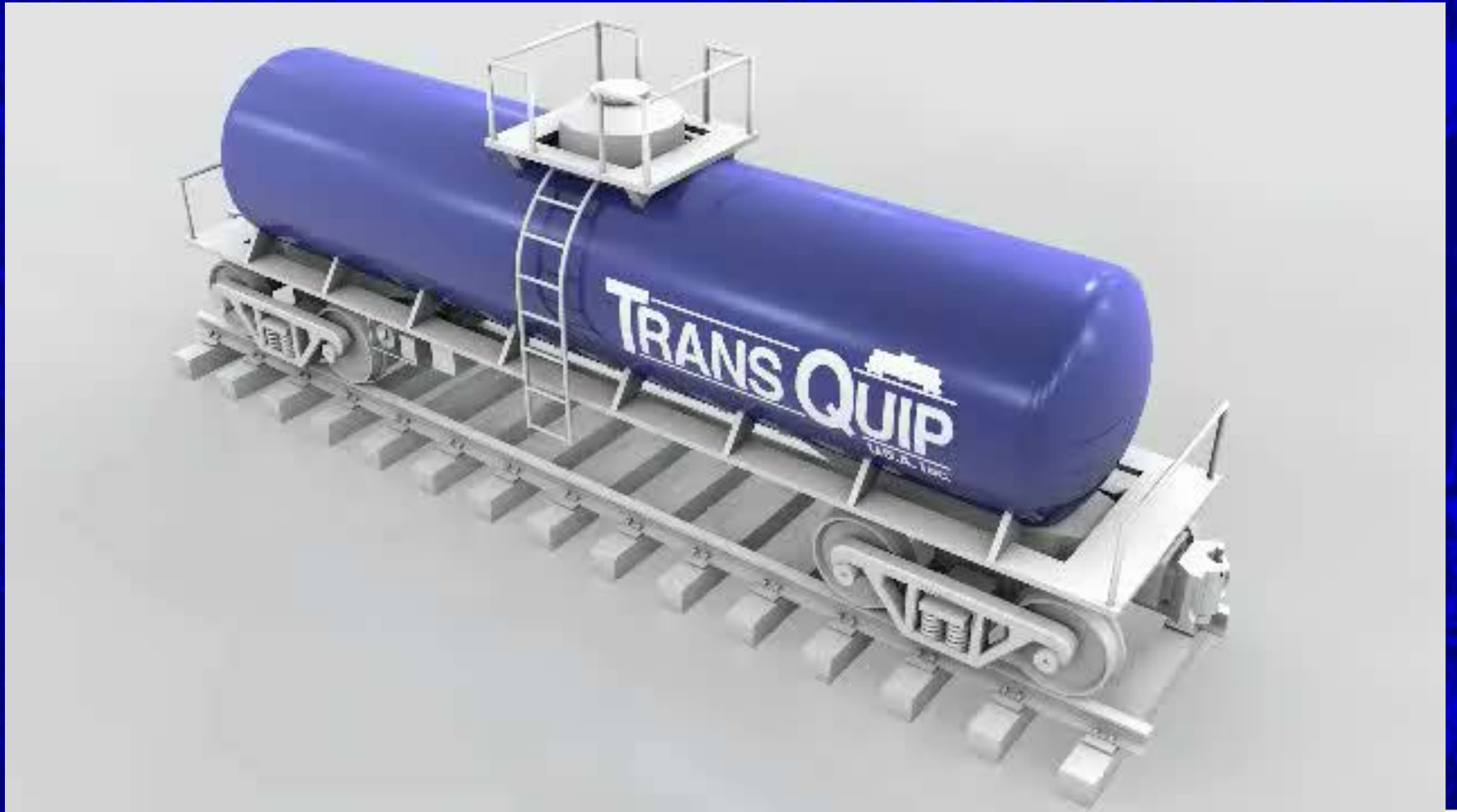


REGO
PRODUCTS



REGO
PRODUCTS

AA



REGO
PRODUCTS

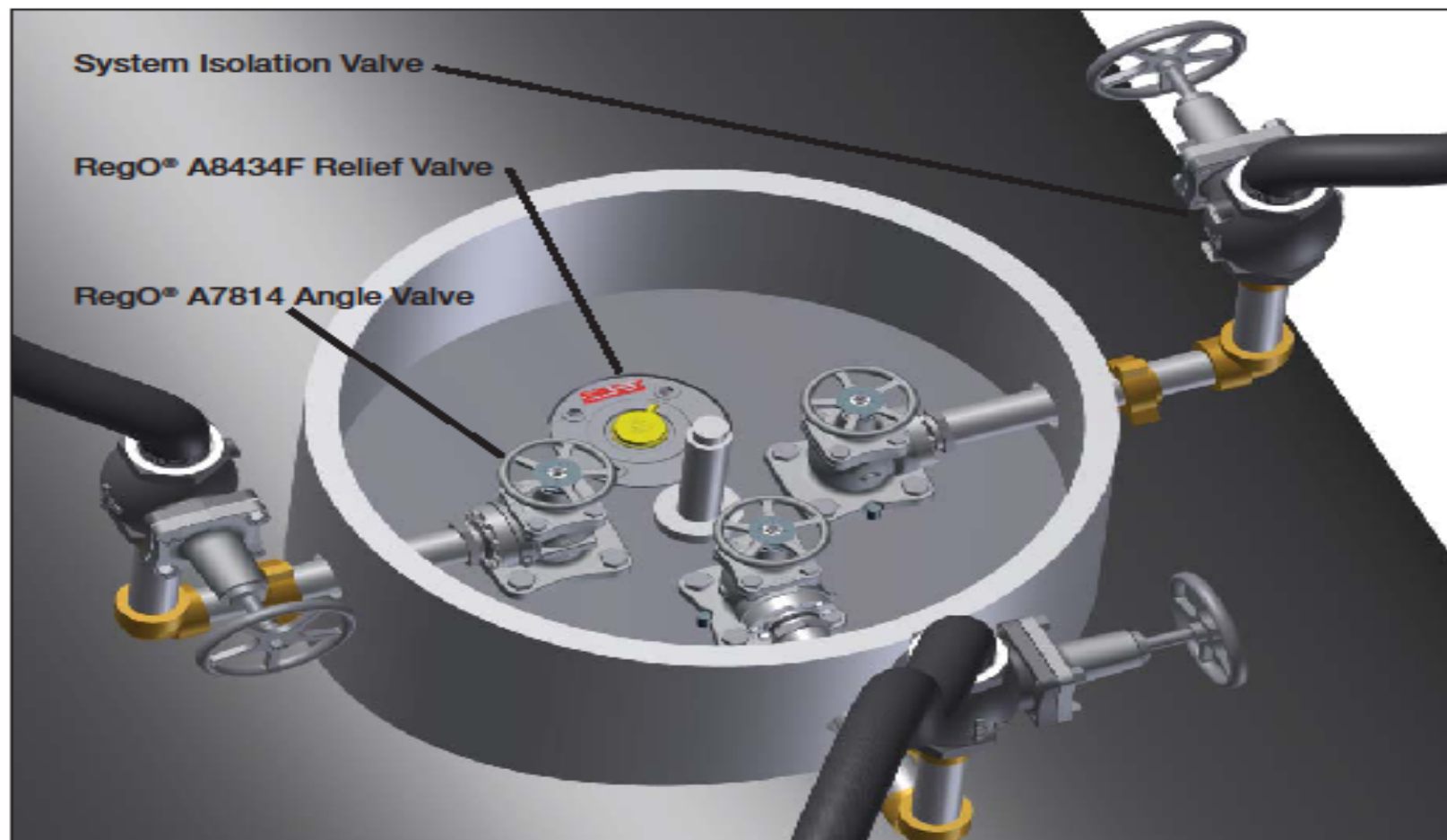


DANGER

READ FIRST

WARNING

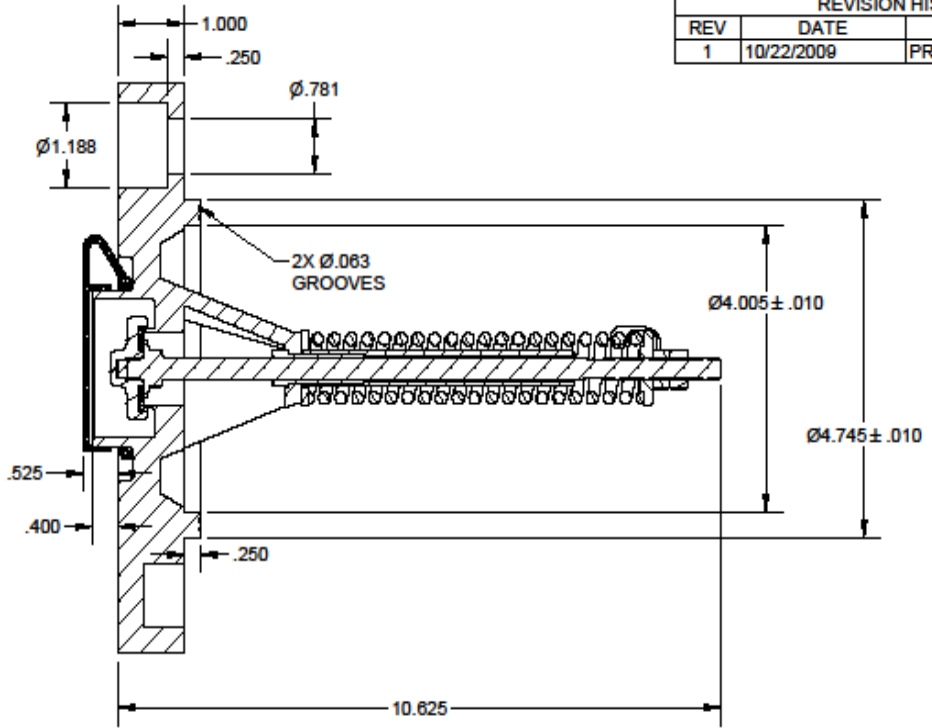
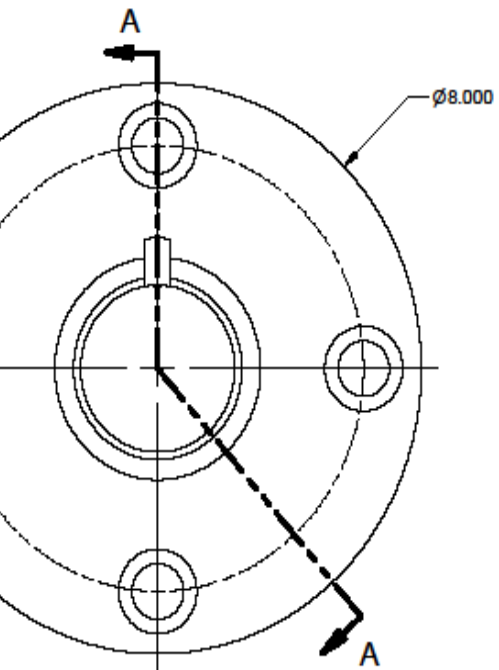
EXPOSURE TO ANHYDROUS AMMONIA IS CORROSIVE TO HUMAN TISSUE. IT CAN BE LIFE THREATENING AND MAY EVEN CAUSE DEATH. IT IS CLASSIFIED AS AN INHALATION HAZARD. USE PROPER SAFETY EQUIPMENT TO PROTECT AGAINST CONTACT WITH ANHYDROUS AMMONIA.



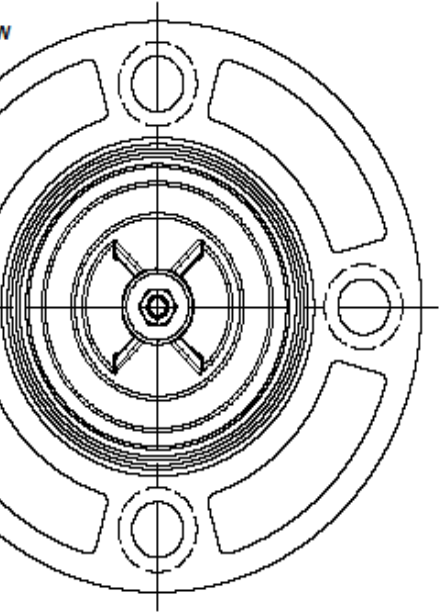
RegO® Valve Operation

1. Connect the appropriate piping to the outlet of all RegO® A7814 Angle Valves.
*****THE SYSTEM ISOLATION VALVES MUST BE CLOSED*****
2. Open each Angle Valve two (2) full turns counterclockwise.

REVISION HISTORY		
REV	DATE	DESCRIPTION
1	10/22/2008	PRELIM ISSUE



SECTION A-A



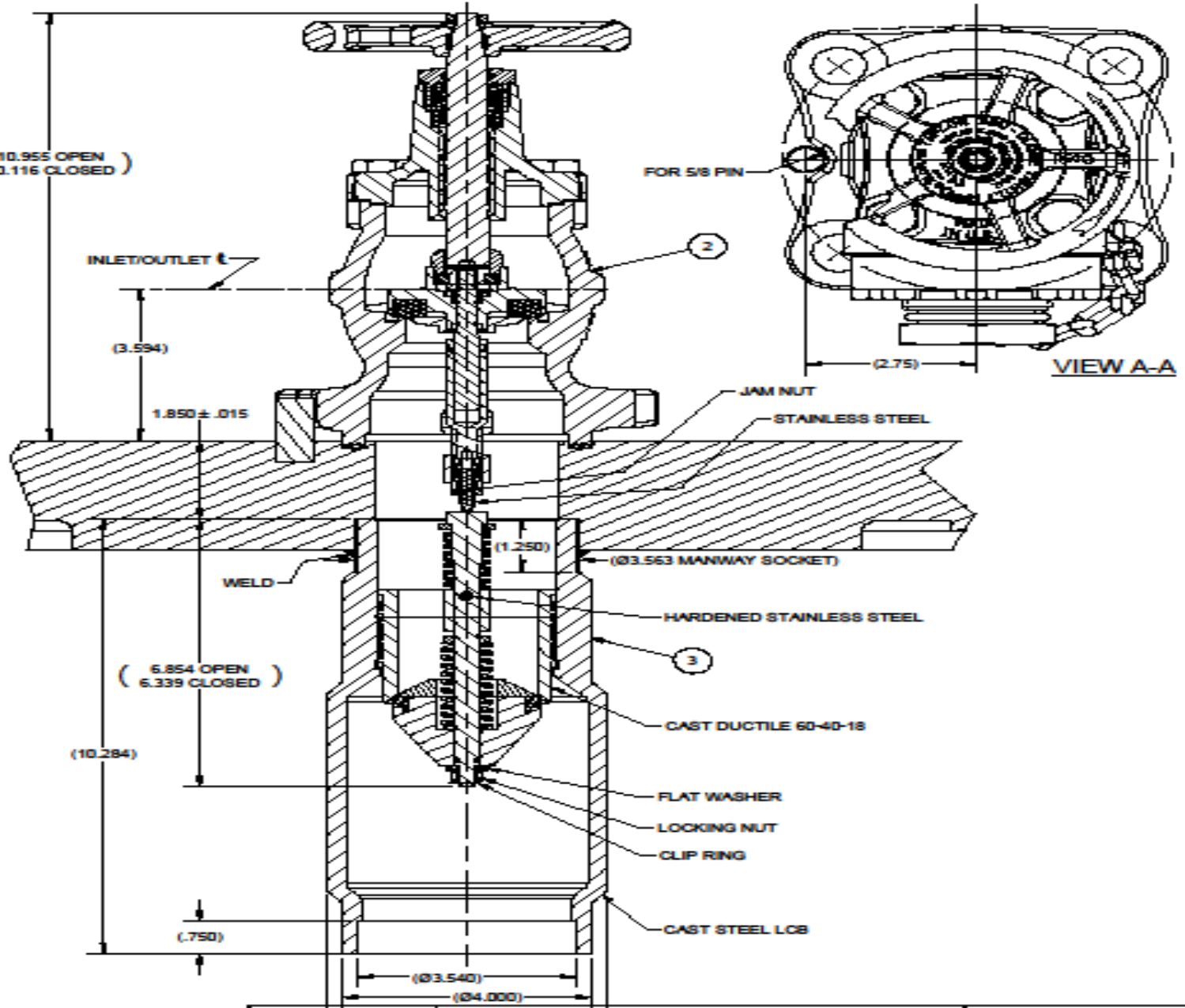
ENGINEERED CONTROLS INTERNATIONAL, INC.
 100 RagO Drive, Elon, N.C. 27244 USA Phone (336) 446-7707 Fax (336) 449-6594

THIS DRAWING IS ECII PROPRIETARY INFORMATION.
 ALL RIGHTS OF DESIGN OR INVENTION ARE RESERVED.

A8434F

VALVE, RELIEF

APPROVED/CONTROLLED



8	1	(Ø4.500)	L0904 MANWAY GASKET
7	1		L0904 PIN
5	1		MANWAY COVER
4	1	GASKET	
3	1	VALVE, INTERNAL EXCESS FLOW (TANKCAR)	A3214L, A3214V

RegO Products are
Proudly Made In
America



REGO
PRODUCTS

Magnetic Gage Device



- Allows for closed dome loading – no product going into the atmosphere, safe for load operators
- Can measure level at any location, no need for plant to have scales
- Can monitor loading of several cars at once by watching rods.
 - More accuracy in loading

OPW DryLok









Rego
Products
Now Come
with a
10 Year
Warranty

REGO
PRODUCTS